



PRODUCT
CATALOGUE
2021



TURVATIKAS SAFETY LADDER IS AN EN353-1:2014 + A1:2017
COMPLIANT FALL ARREST SYSTEM DESIGNED TO PREVENT
CLIMBING ACCIDENTS AND ENHANCE EFFICIENCY.

ZERO SEVERE ACCIDENTS EVER OCCURRED WITH TURVATIKAS SAFETY
LADDERS. THE SYSTEM IS RELIABLE IN ALL CONDITIONS AS SAND, DIRT, SNOW
OR ICE DO NOT HAMPER TURVATIKAS PRODUCTS.

REACH OUT TO US FOR FURTHER INFORMATION!

E-MAIL SAFETYLADDER@ELTELNETWORKS.COM

WEBSITE WWW.TURVATIKAS.FI

CONTACT ELTEL NETWORKS CORPORATION
LATURINKUJA 8 02650 ESPOO,
FINLAND

TEL. +358 20 411 211

SUMMARY

PROFILES AND LADDERS	4
Vertical Profile B	5
Cleat Ladder TBA-I	6
Cleat Ladder TBA-I with Releasable steps	7
Cleat Ladder TBA-II	8
Cleat Ladder TBA-II with Carriage Entry Point	9
Cleat Ladder TBA-II-U with Carriage Lead-in	10
Flange Ladder PTBJ	11
Flange Ladder PTBJ-U with Carriage Lead-In	12
Flange Ladder PTBK	13
Flange Ladder PTBR	14
End Bow B 50	15
Side-End Bow B 50 SR/SL	16
End Bow PTBJ 59	17
HORIZONTAL PROFILES	18
Horizontal Profile VB	19
Releasable Horizontal Carriage Stopper no.81	20
Releasable Horizontal Carriage Stopper no. 86	21
Horizontal Carriage Lead-in no.88	22
Horizontal Carriage no.951	23
ACCESSORIES	24
Anti-Climb Device no.25	25
Sleeve Joint no.70	26
Sleeve Joint no.71	27
Cable Support no.72/74	28
Top Cover no. 80	29
Vertical Carriage Lead-in no.83	30
Carriage Guide no. 84	31
Releasable Vertical Carriage Stopper no. 85	32
Carriage Stopper no.89	33
Releasable Vertical Carriage Stopper no.851	34
Landing no.104	35
Landing no. 105	36
FASTENERS	37
Rung Fastener no. 10	38
Basic Clamp no. 15	39
Universal Fastener no. 20/21/22	40
Universal Fastener no. 23/1/2	41
Level Fastener no. 31	42
Level Fastener no. 32	43
Level Fastener no. 33	44
Level Fastener no. 34	45
Level Fastener no. 35	46
Mast Fastener no. 41/42	47
Angle Iron Fastener no. 44	48
Pole Fastener no. 45	49
Pole Fastener no. 50/51/52	50
OPGW Fastener no. 79	51
Wall Mounts no. 114...119	52
Flange Fastener no. 461/462/463	53
CARRIAGES	54
Climbing Carriage no. 932	55
Climbing Carriage no. 940	56
Horizontal Carriage no. 951	57

CATEGORY

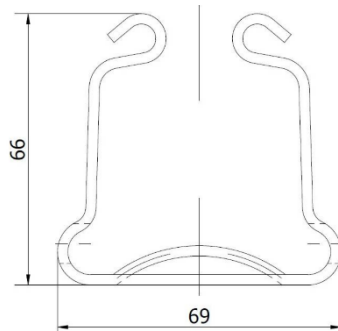
PROFILES AND LADDERS

Vertical Profile B.....	5
Cleat Ladder TBA-1.....	6
Cleat Ladder TBA-I with Releasable steps	7
Cleat Ladder TBA-II.....	8
Cleat Ladder TBA-II with Carriage Entry Point.....	9
Cleat Ladder TBA-II-U with Carriage Lead-in	10
Flange Ladder PTBJ	11
Flange Ladder PTBJ-U with Carriage Lead-In	12
Flange Ladder PTBK.....	13
Flange Ladder PTBR.....	14
End Bow B 50	15
Side-End Bow B 50 SR/SL.....	16
End Bow PTBJ 59	17

PROFILES AND LADDERS

Vertical Profile B

To be installed on existing ladders or structures



FEATURES

Delivery lengths of 3, 5 and 6 m.
Holes for sleeve joints in both ends of the profile.

WEIGHT

4,5 kg/m

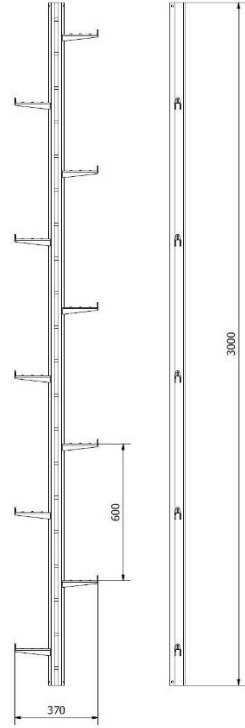
MATERIAL

Hot-dip galvanised steel or acid-proof stainless steel

PROFILES AND LADDERS

Cleat Ladder TBA-I

Complete ladder structure
For poles, masts and chimneys



FEATURES

Delivery length 3 m.
Holes for extension joints in both ends of the profile.
Welded U-profile rungs.

WEIGHT

5,5 kg/m

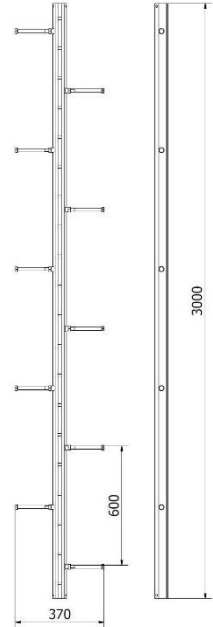
MATERIAL

Hot-dip galvanized steel or acid-proof stainless steel

PROFILES AND LADDERS

Cleat Ladder TBA-I with Releasable Steps

Step Bolts can be removed to prevent unauthorised climbing



FEATURES

Delivery length 3 m, holes for extension joints in both ends of the profile.

WEIGHT

5,5 kg/m

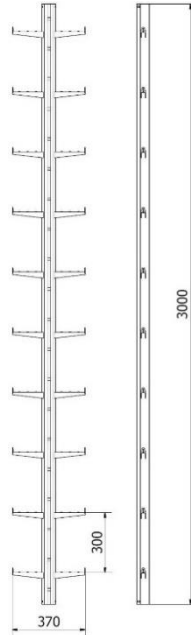
MATERIAL

Hot-dip galvanized steel or acid-proof stainless steel

PROFILES AND LADDERS

Cleat Ladder TBA-II

Complete ladder structure
For poles, masts and chimneys



FEATURES

Delivery length 3 m, holes for extension joints in both ends of the profile. Welded U-profile rungs.

WEIGHT

6,2 kg/m

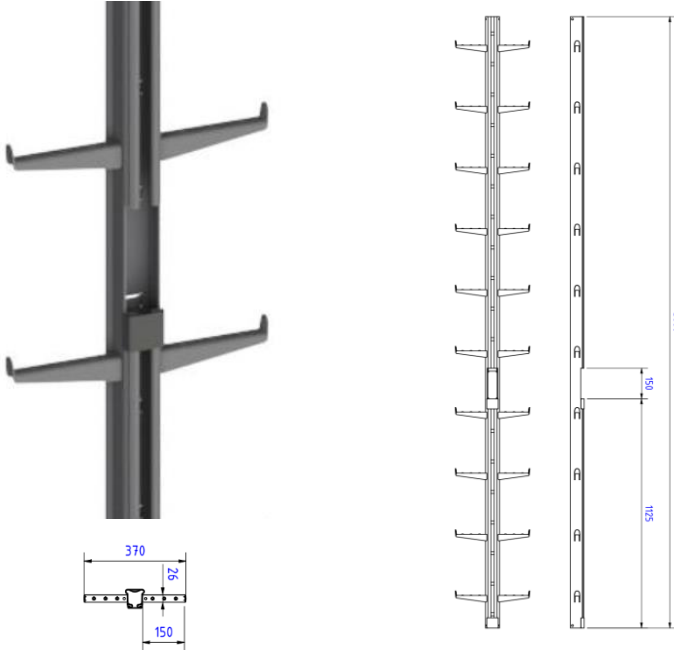
MATERIAL

Hot-dip galvanized steel or acid-proof stainless steel

PROFILES AND LADDERS

Cleat Ladder TBA-II with Carriage Entry Point

Carriage Entry point to facilitate threading



FEATURES

Delivery length 3 m, holes for extension joints in both ends of the profile. Welded U-profile rungs and with carriage entry point.

WEIGHT

6,2 kg/m

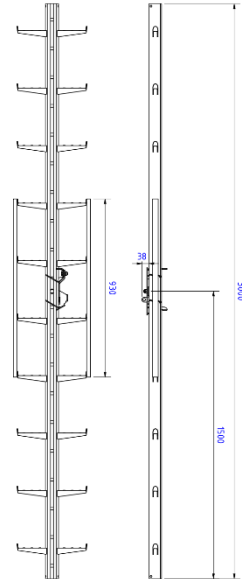
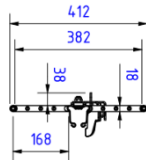
MATERIAL

Hot-dip galvanized steel or acid-proof stainless steel

PROFILES AND LADDERS

Cleat Ladder TBA-II-U with Carriage Lead-in

Integrated Carriage Lead-in no 83



FEATURES

Delivery length 3 m, holes for extension joints in both ends of the profile. Welded U-profile rungs and with Carriage Lead-in.

WEIGHT

6,2 kg

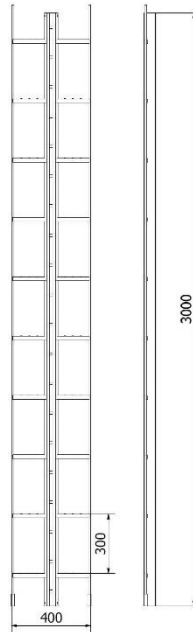
MATERIAL

Hot-dip galvanized steel or acid-proof stainless steel

PROFILES AND LADDERS

Flange Ladder PTBJ

Complete ladder structure with handrails



FEATURES

Delivery length 3 m, holes for extension joints in both ends of the profile. Welded U-profile rungs.

WEIGHT

7,7 kg/m

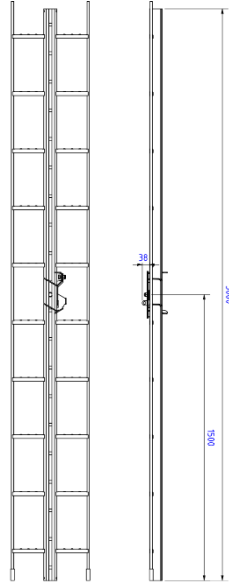
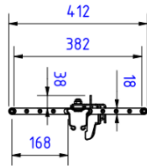
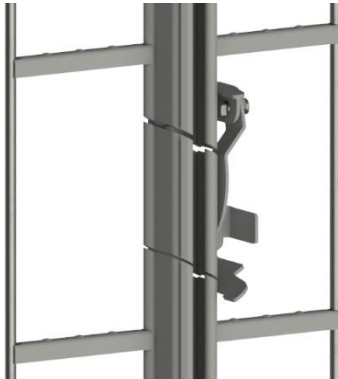
MATERIAL

Hot-dip galvanized steel or acid-proof stainless steel

PROFILES AND LADDERS

Flange Ladder PTBJ-U with Carriage Lead-in

Integrated Carriage Lead-in no. 83



FEATURES

Delivery length 3 m, holes for extension joints in both ends of the profile. Welded U-profile rungs and with Carriage Lead-in.

WEIGHT

7,7 kg

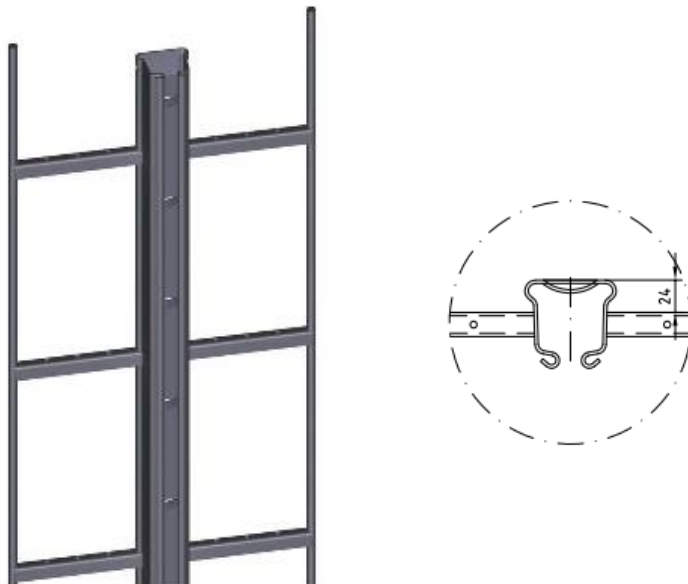
MATERIAL

Hot-dip galvanized steel or acid-proof stainless steel

PROFILES AND LADDERS

Flange Ladder PTBK

Complete ladder structure with handrails



FEATURES

Delivery length 3 m, holes for extension joints in both ends of the profile. Welded U-profile rungs.

WEIGHT

7,7 kg/m

MATERIAL

Hot-dip galvanized steel or acid-proof stainless steel

NOTES

Otherwise same as PTBJ except for rungs, which are welded 24 mm from the profiles back level for more leg space.

PROFILES AND LADDERS

Flange Ladder PTBR

Complete ladder structure with handrails



FEATURES

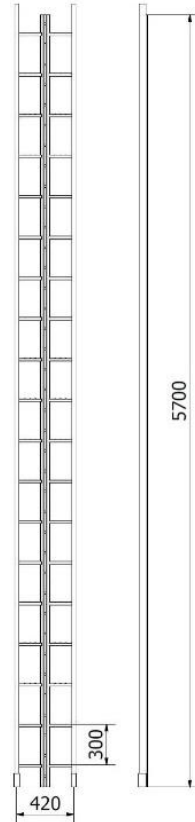
Delivery length 5,7 m. Holes for extension joints in both ends of the profile. Welded U-profile rungs. Ideal for installations with large fastener intervals.

WEIGHT

12,7 kg/m

MATERIAL

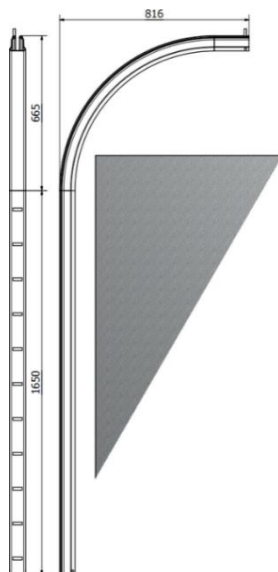
Hot-dip galvanized steel



PROFILES AND LADDERS

End Bow B 50

Installed onto existing ladders with Vertical Profile B



FEATURES

Straight section 1,65 m.
Ideal for access onto level landings.

WEIGHT

15 kg/m

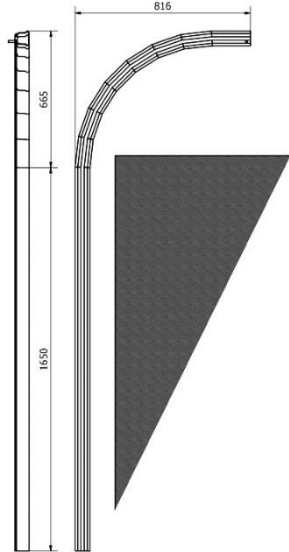
MATERIAL

Hot-dip galvanized steel or acid-proof stainless steel

PROFILES AND LADDERS

Side-End Bow B 50 SR/SL

Installed onto existing ladder with Vertical Profile B



FEATURES

Straight section 1,65 m.
Ideal for access onto level landings.

WEIGHT

15 kg/m

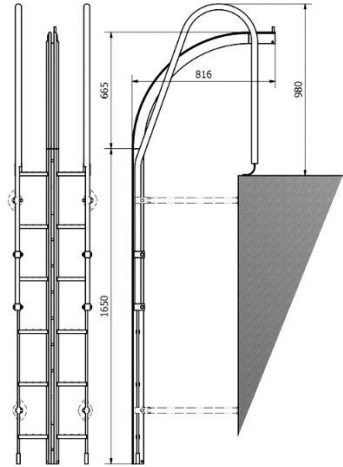
MATERIAL

Hot-dip galvanized steel or acid-proof stainless steel

PROFILES AND LADDERS

End Bow PTBK 59

End bow with handrails for access onto level landings.



FEATURES

- Compatible with Flange Ladder PTBK only.
- Straight section includes 6 rungs.
- Bending radius: appr. 665 mm.
- Highest part of the handrails appr. 980 mm from the landing level.
- Handrails can be mounted onto the landing.

WEIGHT

30 kg/m

MATERIAL

Hot-dip galvanized steel or acid-proof stainless steel

CATEGORY

HORIZONTAL PROFILES

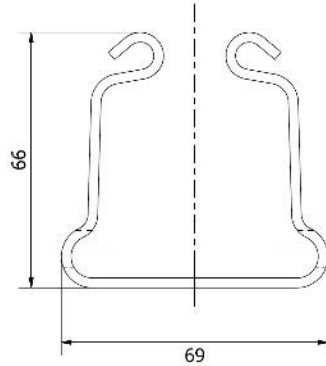
Ultimate safety for horizontal levels.

Horizontal Profile VB.....	19
Releasable Horizontal Carriage Stopper no.81.....	20
Releasable Horizontal Carriage Stopper no.86.....	21
Horizontal Carriage Lead-in no.88.....	22
Horizontal Carriage no.951.....	23

HORIZONTAL PROFILES

Horizontal Profile VB

Used with horizontal carriage no. 951



FEATURES

Delivery length 3 m.

WEIGHT

4,5 kg/m

MATERIAL

Hot-dip galvanized steel or acid-proof stainless steel

NOTES

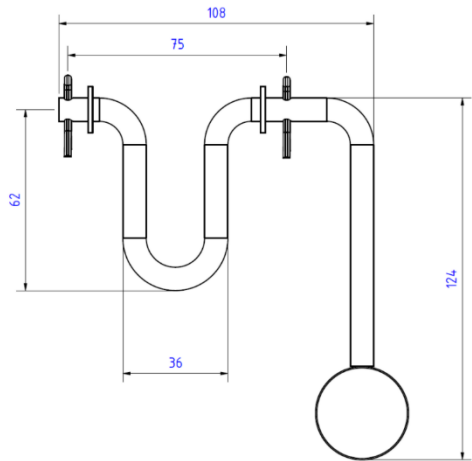
Similar design to Vertical Profile B.

Does not include locking fins – cannot be used in vertical fall arrest systems.

HORIZONTAL PROFILES

Releasable Horizontal Carriage Stopper no. 81

Manually operated releasable carriage stopper.



FEATURES

Mounted through sleeve joint holes at the top end of the horizontal profile.

WEIGHT

0,3 kg

MATERIAL

Hot-dip galvanized steel or acid-proof stainless steel

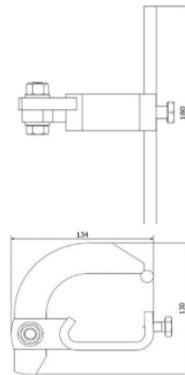
NOTES

Compatible with Horizontal Profile VB based products.
Only usable if the profile opening is facing down.

HORIZONTAL PROFILES

Releasable Horizontal Carriage Stopper no. 86

Prevents unintended carriage removal from the profile



FEATURES

Stops the carriage at a desired position in the profile.
The lock can be released manually.
Can be installed at any point in the profile.

WEIGHT

0,7 kg

MATERIAL

Hot-dip galvanized steel or acid-proof stainless steel

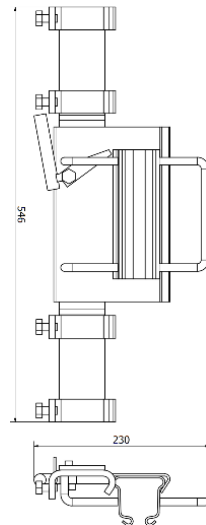
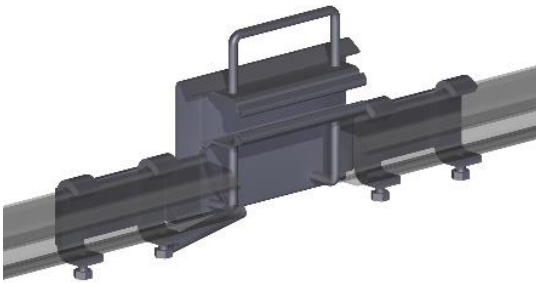
NOTES

Not usable if the profile opening is facing down.

HORIZONTAL PROFILES

Horizontal Carriage Lead-in no. 88

Lead-in section for carriage removal and insertion



FEATURES

Can be used to remove or insert carriage no 951 at a specific point in a horizontal profile.

WEIGHT

5,3 kg/m

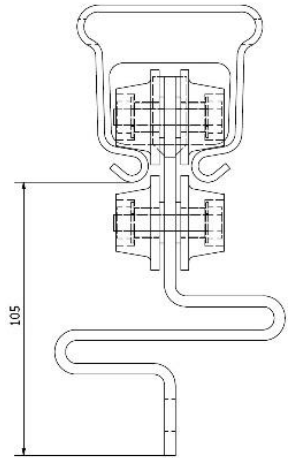
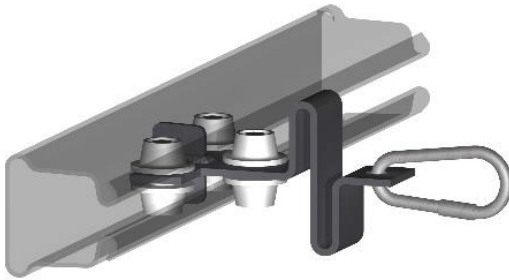
MATERIAL

Hot-dip galvanised steel or acid-proof stainless steel

HORIZONTAL PROFILES

Horizontal Carriage no. 951

Safety Carriage horizontal profile VB



FEATURES

Equipped with a snap hook.

WEIGHT

0,7 kg/m

MATERIAL

Acid-proof stainless steel

NOTES

Cannot be used in vertical fall arrest systems.
Designed for horizontal movement only.

CATEGORY

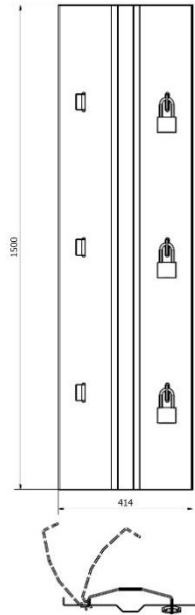
ACCESSORIES

Anti-Climb Device no.25.....	25
Sleeve Joint no.70.....	26
Sleeve Joint no.71.....	27
Cable Support no.72/74.....	28
Top Cover no. 80.....	29
Vertical Carriage Lead-in no.83.....	30
Carriage Guide no. 84.....	31
Releasable Vertical Carriage Stopper no. 85.....	32
Carriage Stopper no.89.....	33
Releasable Vertical Carriage Stopper no.851.....	34
Landing no.104.....	35
Landing no. 105.....	36

ACCESSORIES

Anti-Climb Device no. 25

Access restriction panel for Safety Ladder



FEATURES

Prevents unauthorized climbing.
Compatible with Safety Ladders PTBJ, PTBK, TBA-I and TBA-II.

WEIGHT

12,4 kg

MATERIAL

Hot-dip galvanized steel or acid-proof stainless steel

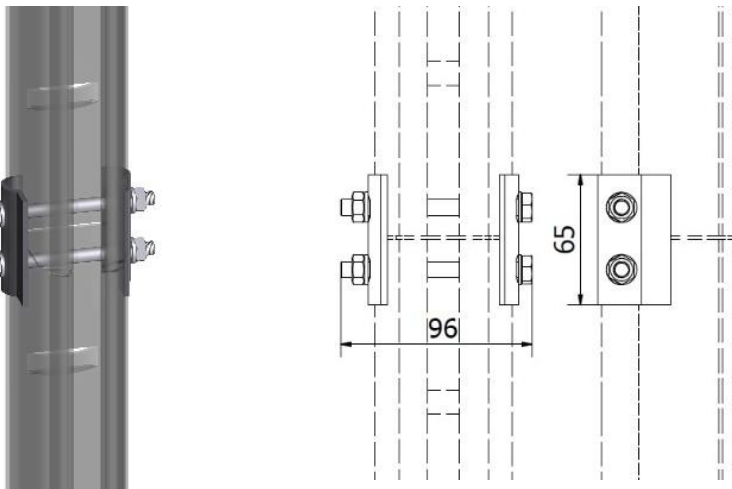
NOTES

Not compatible with Flange Ladder PTBR.
Padlocks not included.
Fastened onto the profile with a bracket.
Hinge set can be ordered separately.

ACCESSORIES

Sleeve Joint no. 70

Connector part for profile/ladder sections



FEATURES

Compatible with VB profiles.
Four bolt holes.

WEIGHT

0,18 kg/pc

MATERIAL

Hot-dip galvanized steel or acid-steel stainless steel

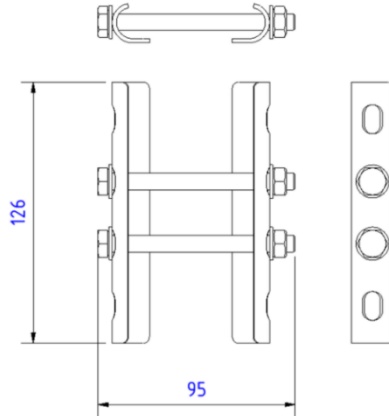
NOTES

Standard supply includes 2 bolts, 4 washers and 2 nuts.
Additional bolt set can be ordered separately.

ACCESSORIES

Sleeve Joint no. 71

Connector part for profile/ladder sections



FEATURES

Compatible with Vertical Profile B.

WEIGHT

0,18 kg/pc

MATERIAL

Hot-dip galvanized steel or acid-steel stainless steel

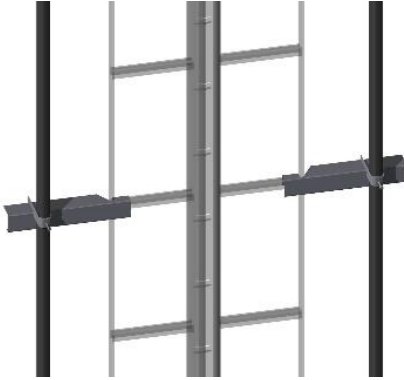
NOTES

Standard supply includes 2 bolts, 4 washers and 2 nuts.
Additional bolt set can be ordered separately.

ACCESSORIES

Cable Support no. 72/74

Used as mounting supports for cables



FEATURES

Compatible with Safety Ladder PTBJ ja PTBK

WEIGHT

0,35 kg

MATERIAL

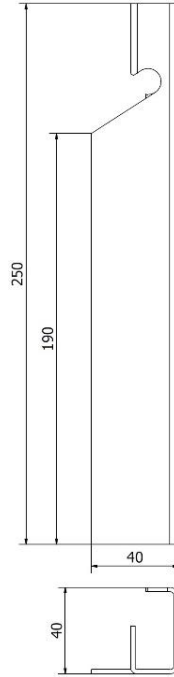
Hot-dip galvanized steel or acid-proof stainless steel

NOTES

Easy to install, clips onto the rung and handrail.

No. 72 to be mounted on the left handrail.

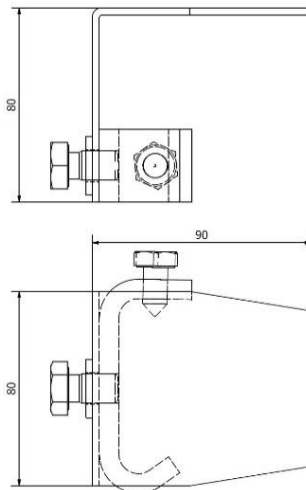
No. 74 to be mounted on the right handrail.



ACCESSORIES

Top Cover no. 80

Used for weather protection for profile V/VB.



FEATURES

Includes basic clam 15.

WEIGHT

0,5 kg

MATERIAL

Hot-dip galvanized steel or acid-proof stainless steel

NOTES

Not suitable for a carriage stopper.

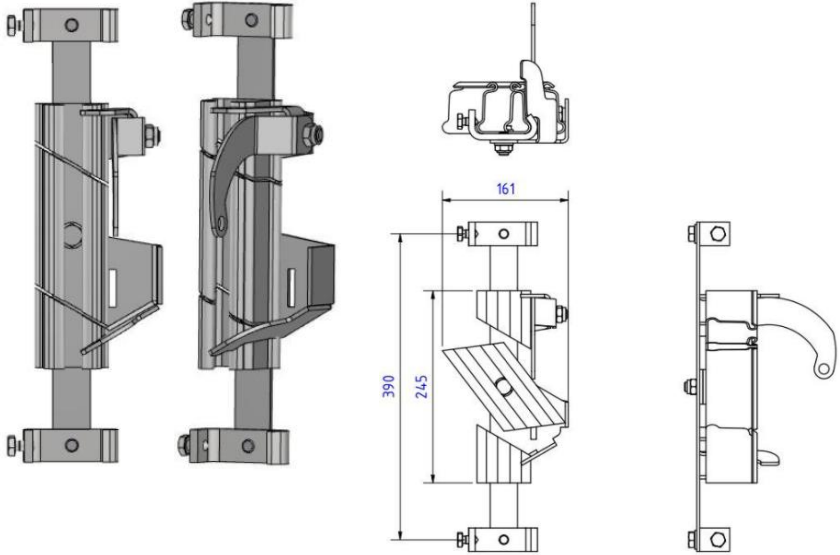
To be used along with Carriage Stopper no. 89.

Cannot be used if the carriage has to be inserted or removed at the same end of the profile.

ACCESSORIES

Vertical Carriage Lead-in no. 83

For carriage insertion/removal in the middle of profile



FEATURES

Suitable for vertical profile.

To be attached carriage in middle of profile.

Also available as a retrofit kit that could be installed to the existing profile.

WEIGHT

1,2 kg

MATERIAL

Hot-dip galvanized steel or acid-proof stainless steel

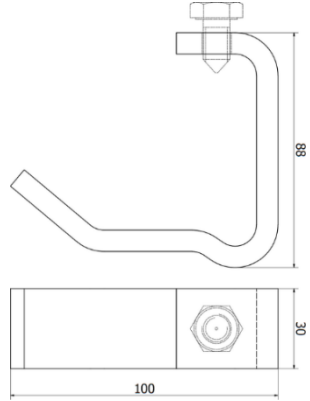
NOTES

Compatible with Vertical Profile B based products.

ACCESSORIES

Carriage Guide no. 84

Prevents incorrect insertion of climbing carriages



FEATURES

An R is engraved on the side intended to be on the right side of the profile.
Fastened on the profile using a bolt.

WEIGHT

0,45 kg

MATERIAL

Hot-dip galvanized steel or acid-proof stainless steel

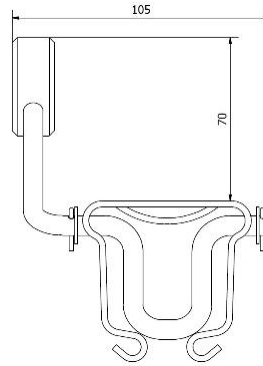
NOTES

A carriage guide is mandatory at every carriage insertion/removal point.

ACCESSORIES

Releasable Vertical Carriage Stopper no. 85

Manually operated releasable carriage stopper



FEATURES

Mounted through sleeve joint holes at the top end of the profile.

WEIGHT

0,25 kg

MATERIAL

Hot-dip galvanized steel or acid-proof stainless steel

NOTES

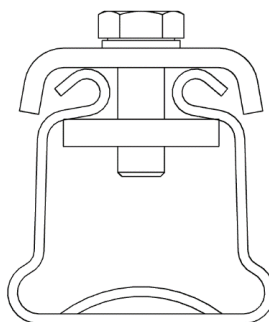
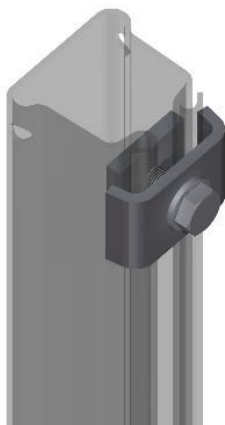
Avoids unintended removal of the climbing carriage from the profile.

It is mandatory to use a carriage guide with this stopper.

ACCESSORIES

Carriage Stopper no. 89

Permanent carriage stopper for vertical and horizontal profiles



FEATURES

Permanent carriage stopper used when a carriage does not need to be removed from the profile.

WEIGHT

0,4 kg

MATERIAL

Hot-dip galvanized steel or acid-proof stainless steel

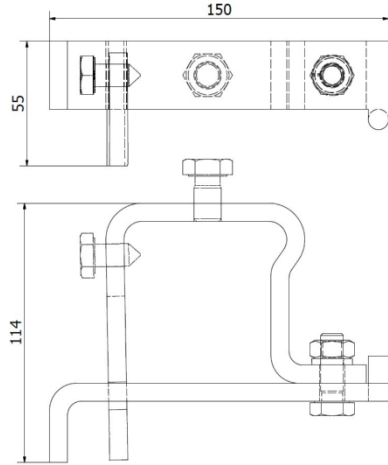
NOTES

Compatible with all Vertical Profile B and VB based products.
When used in horizontal profile VB, two carriage stopper no. 89s must be installed in series.

ACCESSORIES

Releasable Vertical Carriage Stopper no. 851

Manually operated carriage stopper



FEATURES

Mounted at the lower end of the profile.

WEIGHT

1,2 kg

MATERIAL

Hot-dip galvanized steel or acid-proof stainless steel

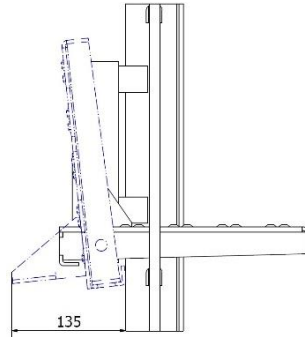
NOTES

Avoids unintended removal of the climbing carriage from the profile. A carriage guide must always be used with this stopper.

ACCESSORIES

Landing no. 104

Folding resting foot platform



FEATURES

Can be installed at any point of a ladder with a profile B.

WEIGHT

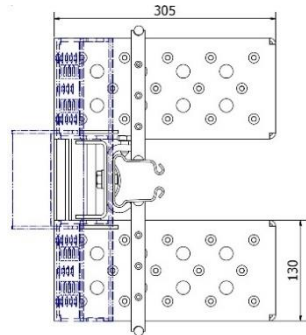
4,5 kg

MATERIAL

Hot-dip galvanized steel or acid-proof stainless steel

NOTES

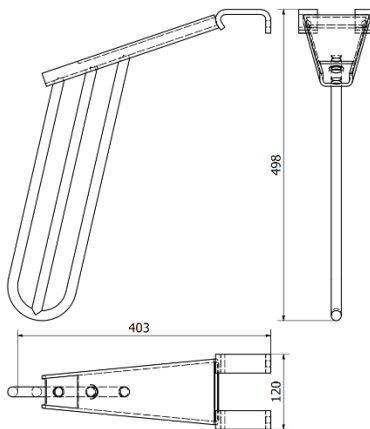
Recommended for every 10-15 m climbing stretch.



ACCESSORIES

Landing no. 105

Seated resting platform



FEATURES

Can be installed at any point of a ladder with a profile B.

WEIGHT

4,5 kg

MATERIAL

Hot-dip galvanized steel or acid-proof stainless steel

NOTES

Recommended for every 10-15 m climbing stretch.

CATEGORY

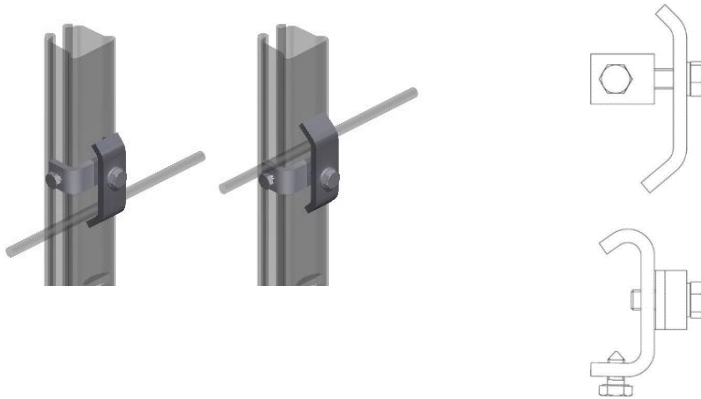
FASTENERS

Rung Fastener no. 10.....	38
Basic Clamp no. 15.....	39
Universal Fastener no. 20/21/22.....	40
Universal Fastener no. 23/1/2.....	41
Level Fastener no. 31.....	42
Level Fastener no. 32.....	43
Level Fastener no. 33.....	44
Level Fastener no. 34.....	45
Level Fastener no. 35.....	46
Mast Fastener no. 41/42.....	47
Angle Iron Fastener no. 44.....	48
Pole Fastener no. 45.....	49
Pole Fastener no. 50/51/52.....	50
OPGW Fastener no. 79.....	51
Wall Mounts no. 114...119.....	52
Flange Fastener no. 461/462/463.....	53

FASTENERS

Rung Fastener no. 10

Suitable for installations of vertical profile B onto existing ladders



FEATURES

Applicable for rung diameters 16mm...25mm.

Rung Diameter	Bolt length
16 mm	25 mm
20 mm	30 mm
25 mm	35 mm

WEIGHT

0,4 kg

MATERIAL

Hot-dip galvanized steel or acid-proof stainless steel

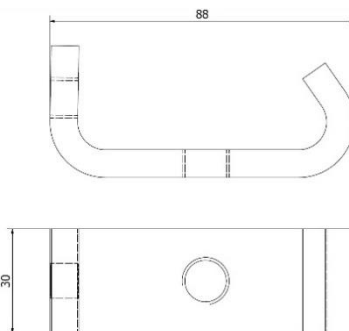
NOTES

Compatible with all Vertical Profile B based products.

FASTENERS

Basic Clamp no. 15

Basic fastener fastened onto Turvatikas' profile B



FEATURES

Compatible with all Profile B and VB based products.

WEIGHT

0,3 kg

MATERIAL

Hot-dip galvanized steel or acid-proof stainless steel

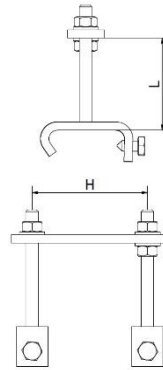
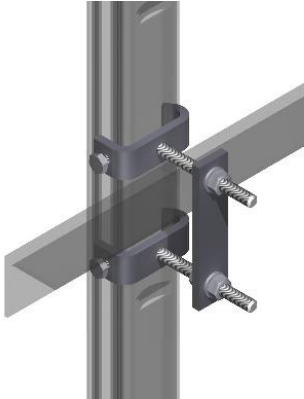
NOTES

Includes an M12 fastening bolt and an M10 tightening bolt.
Can be used with any suitable custom made bracket.

FASTENERS

Universal Fastener no. 20/21/22

Versatile fastener to mount profiles and ladders onto metallic structures



FEATURES

Applicable for rung diameters 16mm...25mm.

	Dimension L (mm)	Dimension H (mm)	Weight (Kg)
No 20	22 ... 52	Max. 80	0,9
No 21	53 ... 82	Max. 110	1,1
No 22	83 ... 140	Max. 170	1,6

WEIGHT

0,9/ 1,1/ 1,6 kg

MATERIAL

Hot-dip galvanized steel or acid-proof stainless steel

NOTES

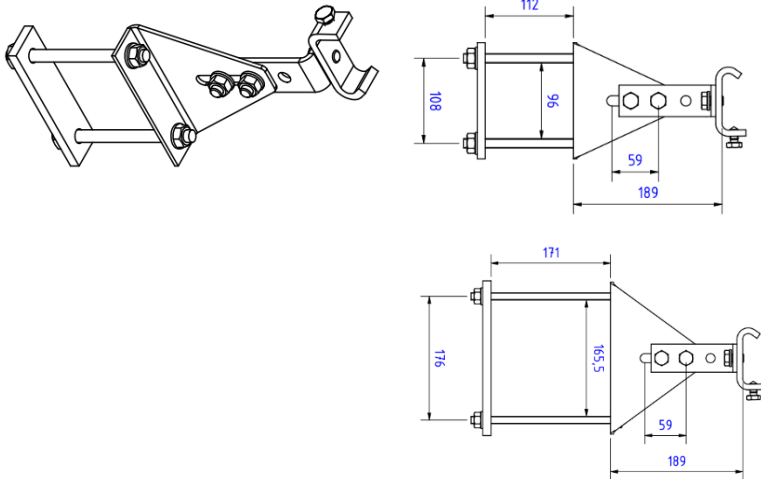
Includes 2 basic clamps no. 15, a fastening plates, 2 threaded rods and their nuts and washers.

Also suitable as rung fasteners.

FASTENERS

Universal Fastener no. 23/1/2

Versatile fastener to mount profiles and ladders onto metallic structures



FEATURES

	Dimension Height (mm)	Dimension Depth (mm)
No 23/1	Max. 96	Max. 112
No 23/2	Max. 165,5	Max. 171

WEIGHT

1 kg / 1,6 kg

MATERIAL

Hot-dip galvanized steel or acid-proof stainless steel

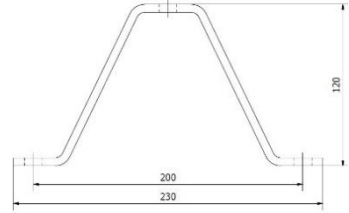
NOTES

Compatible with all Vertical Profile B and Horizontal Profile VB based products. Fastener's adjustment range is 59 mm.

FASTENERS

Level Fastener no. 31

Suitable for wall mounted ladders and other flat surfaces.



FEATURES

Provides 120mm clearance from the surface onto which it is mounted.

WEIGHT

1,3 kg

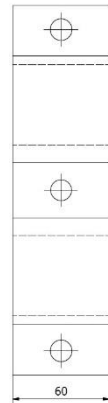
MATERIAL

Hot-dip galvanized steel or acid-proof stainless steel

NOTES

Includes a basic clamp no. 15 and the V shaped bracket represented above.

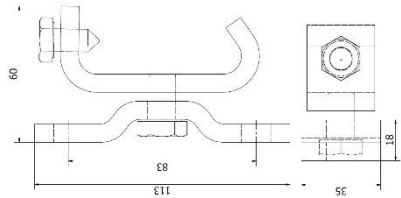
Anchor bolts not included.



FASTENERS

Level Fastener no. 32

Suitable for various flat surfaces



FEATURES

Back plate with two mounting points.

WEIGHT

0,4 kg

MATERIAL

Hot-dip galvanized steel or acid-proof stainless steel

NOTES

Includes 1 basic clamp and the mounting plate represented above.

Mostly used with horizontal VB profiles.

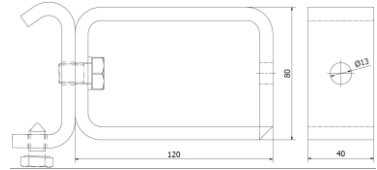
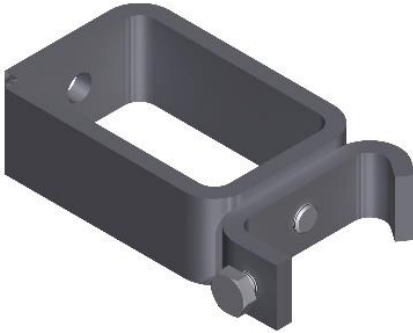
Does not provide adequate foot clearance when installed directly onto a flat surface.



FASTENERS

Level Fastener no. 33

Used with different kinds of steel structures.



FEATURES

Mounting plate acts as a spacer between the installation surface and the profile or ladder.

WEIGHT

0,6 kg

MATERIAL

Hot-dip galvanized steel or acid-proof stainless steel

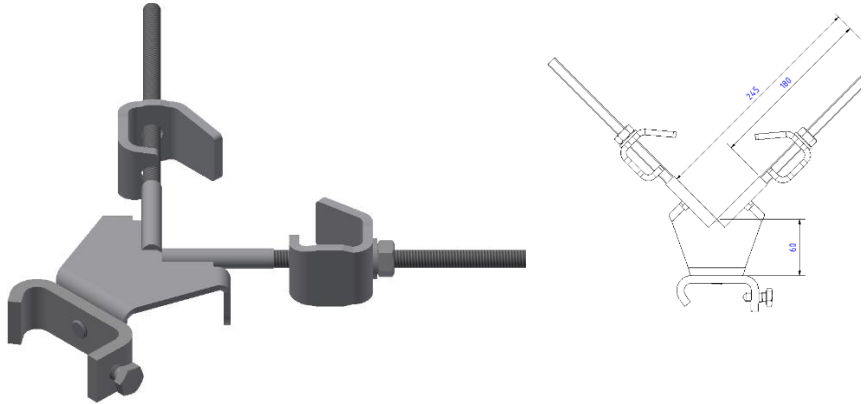
NOTES

Includes 1 basic clamp no. 15 and the spacer/mounting plate represented above.

FASTENERS

Level Fastener no. 34

Suitable for L-profile structures and power transmission pylon legs



FEATURES

Mounted onto pylon leg's L-profiles.
Suitable for L-profiles L90-200.

WEIGHT

1,5 kg

MATERIAL

Hot-dip galvanized steel or acid-proof stainless steel

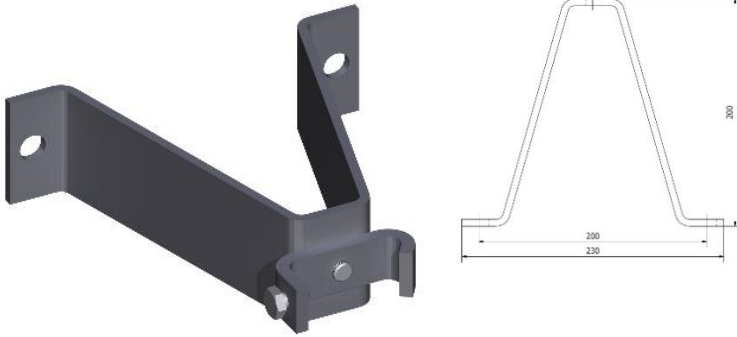
NOTES

Includes 1 basic clamp no. 15, the bracket and locking clamps represented above.

FASTENERS

Level Fastener no. 35

Suitable for wall mounted ladders and other flat surfaces



FEATURES

Provides 200 mm clearance from the surface onto which it is mounted

WEIGHT

2 kg

MATERIAL

Hot-dip galvanized steel or acid-proof stainless steel

NOTES

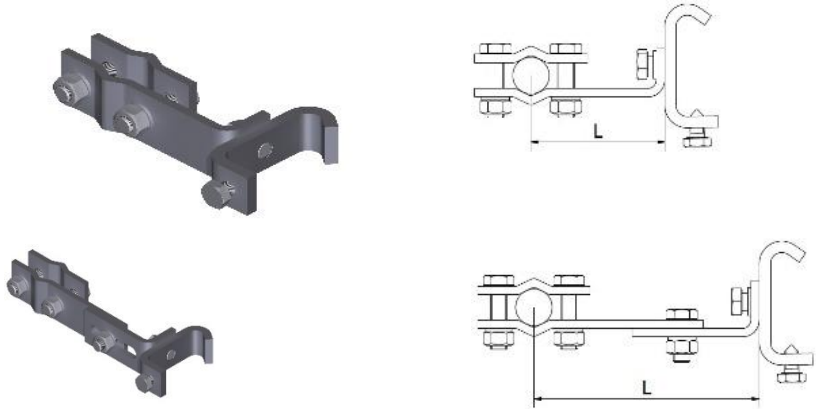
Includes a basic clamp no 15 and the V shaped bracket represented above.

Anchor bolts not included.

FASTENERS

Mast Fastener no. 41/42

Suitable for mounting ladders to tower/mast members or rungs



FEATURES

Tower member diameter	Required Bolt Sides
11-15 mm	M12x30 (straight clamp needed)
16-29mm	M12x35
19-35 mm	M12x45

WEIGHT

0,8 kg / 1,1 kg

MATERIAL

Hot-dip galvanized steel or acid-proof stainless steel

NOTES

Includes 1 basic clamp no 15 and the bracket(s) represented above.

Fastener no 42's length is adjustable.

FASTENERS

Angle Iron Fastener no. 44

Suitable for L-profile structures and power transmission pylon legs



FEATURES

Fastener Type	Angle Profile
44/1	L60...L100
44/2	L110...L150
44/3	L150...L220

WEIGHT

2,8; 3,2; 6,2 kg

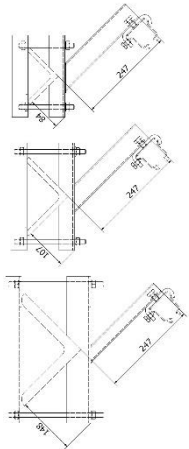
MATERIAL

Hot-dip galvanized steel
 or acid-proof stainless steel

NOTES

Includes 1 basic clamp no 15 and the bracket represented above.

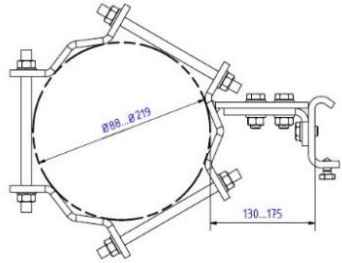
Mounted onto pylon leg's L-profiles.



FASTENERS

Pole Fastener no. 45

Versatile, adjustable fastener solution for poles



FEATURES

Four different models available for poles ranging from Ø88- Ø1100mm.

WEIGHT

5 kg

MATERIAL

Hot-dip galvanized steel or acid-proof stainless steel

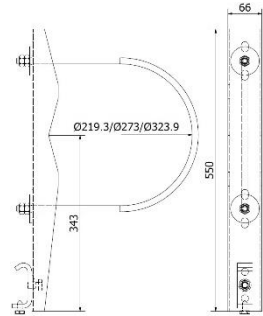
NOTES

Includes 1 basic clamp no 15, 3 brackets and a threaded rod set (3 rods).

FASTENERS

Pole Fastener no. 50/51/52

Used for poles with specific diameters



FEATURES

Suitable pole diameters are 219,9 mm, 273 mm and 323,9 mm.

WEIGHT

3 kg

MATERIAL

Hot-dip galvanized steel or acid-proof stainless steel

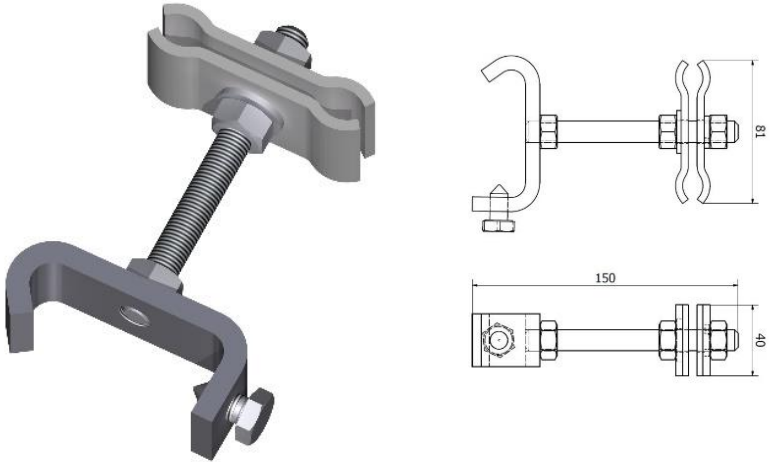
NOTES

Includes 1 basic clamp no 15 and the bracket represented above

FASTENERS

OPGW Fastener no. 79

Used to support optical ground wire



FEATURES

Aluminium ground wire support.
Applicable for optical ground wire diameters 11mm...19mm.

WEIGHT

0,5 kg

MATERIAL

Hot-dip galvanized steel or acid-proof stainless steel

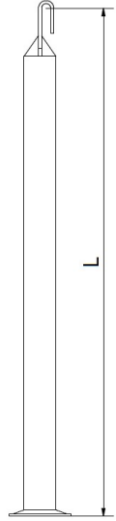
NOTES

Includes 1 basic clamp no 15, a threaded rod and a wire support for up to two ground wires.

FASTENERS

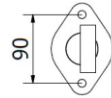
Wall Mounts no. 114...119

For wall mounted ladders



FEATURES

No.	Length L (cm)	Weight (Kg)
114	40	2,0
115	50	2,2
116	60	2,4
117	70	2,6
118	80	2,8
119	90	3,0



WEIGHT

2-3 kg.

MATERIAL

Hot-dip galvanized steel or acid-proof stainless steel

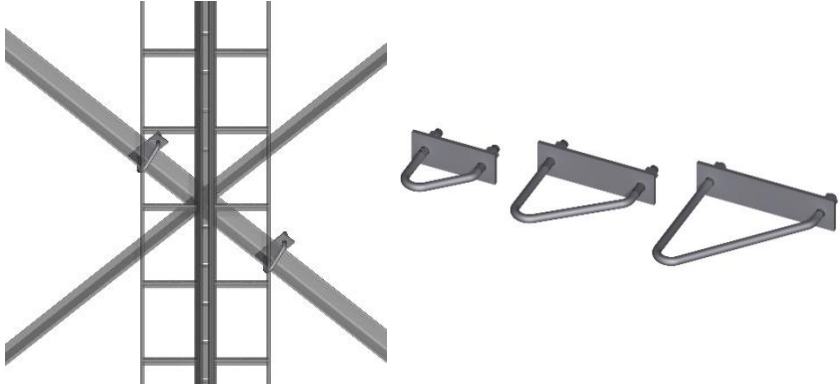
NOTES

Compatible with PTBJ and PTBK flange ladders.
The fastener latches onto the ladder's handrail.
Anchor bolts not included.

FASTENERS

Flange Fastener no. 461/462/463

Suitable for mounting PTBJs to tower bracing members



FEATURES

Suitable for profiles	
461	L35-70
462	L80-120
463	L130-150

WEIGHT

0,7 kg / 0,9 kg / 1,1 kg

MATERIAL

Hot-dip galvanized steel or acid-proof stainless steel

NOTES

Includes a V shaped fastener, back plate, fastening nuts and washers.

The fastener latches onto the ladder's handrails.

Only compatible with PTBJ and PTBK flange ladders.

CATEGORY

CARRIAGES

Climbing Carriage no. 932.....	55
Climbing Carriage no. 940.....	56
Horizontal Carriage no. 951.....	57

CARRIAGES

Climbing Carriage no. 932

Used with Vertical Profile B based products.



FEATURES

Integrated shock absorber and snap hook.

WEIGHT

1,0 kg

MATERIAL

Acid-proof stainless steel

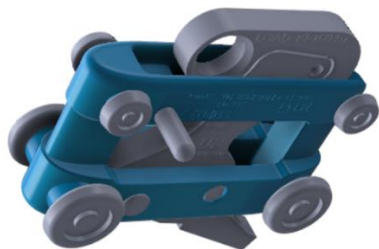
NOTES

Compatible with all Vertical Profile B based products.
Tested in accordance with the applied methods of
EN353-1:2014+A1:2017, prEN 353-1:2008 and
CNB/P/11.073.

CARRIAGES

Climbing Carriage no. 940

New climbing carriage – coming later in 2021



FEATURES

Integrated shock absorber and snap hook.

MATERIAL

Acid-proof stainless steel

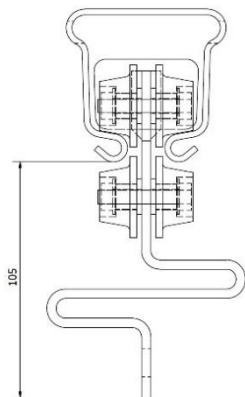
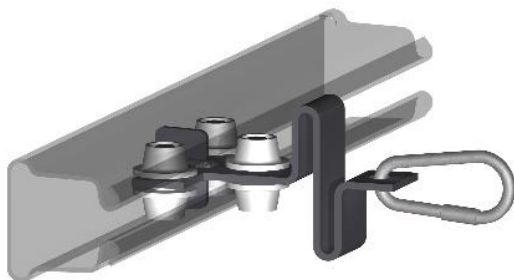
NOTES

New climbing carriage launching during 2021.
Reach out to us for more information.

CARRIAGES

Horizontal Carriage no. 951

Safety Carriage for use in horizontal profile VB



FEATURES

Equipped with a snap hook.

WEIGHT

0,7 kg

MATERIAL

Acid-proof stainless steel

NOTES

Cannot be used in vertical fall arrest systems.

FACT SHEET

PRODUCT INFORMATION	Product type	Guided type fall arrester including a rigid anchor line
	Brand name	Turvatikas Safety Ladder
	Provider	Eitel Networks Oy
	CE number	0598
	Material	Hot-dip galvanized steel, Acid proof steel - AISI 316
	Zink class	Mean layer thickness 55 µm (SFS-EN ISO1461)
	Zink corrosivity category	C4 (EN 12944-2 and EN ISO 14713-1)
	Applications	High structures, horizontal levels and pre-existing ladders
	Compatible	All Turvatikas Safety Ladder components
	Stopper tooth distance	15 cm
	Steel material	S355MC/JJA EN 10149-2:2013
	Delivery lengths	3 m (All products), 5 m (Profile-B), 5.7 m (PTBR, Profile-B), 6 m (Profile-B)
	Warranty period	36 months
	Country of origin	Finland
	PRODUCT CERTIFICATES	EU
Germany		DIN 5U001 (TBA-II, PTBJ)
PRODUCTION CERTIFICATES	Quality	ISO9001
	Responsibility	ISO14001
	Quality	EN1090-1:2009+A1:2011
	Galvanization standard	EN ISO 1461